

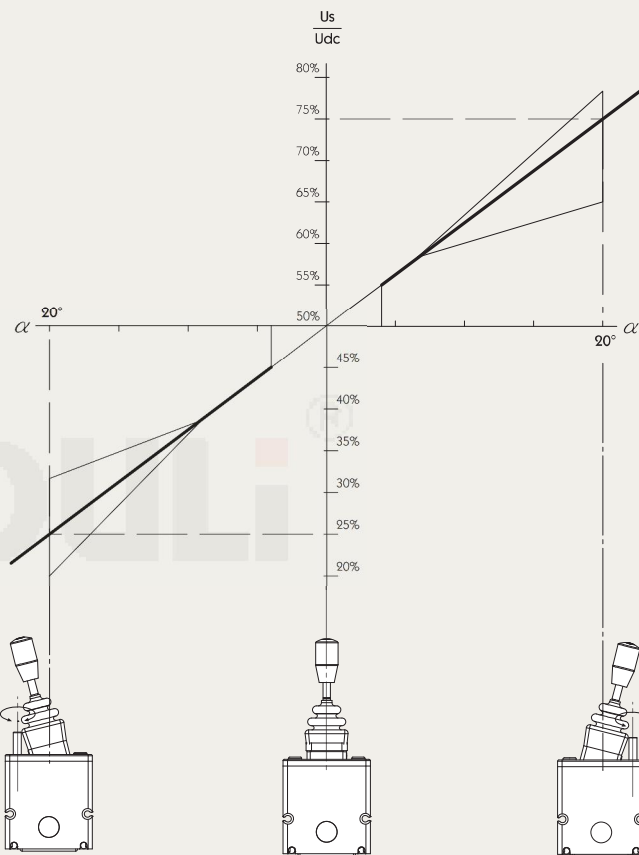
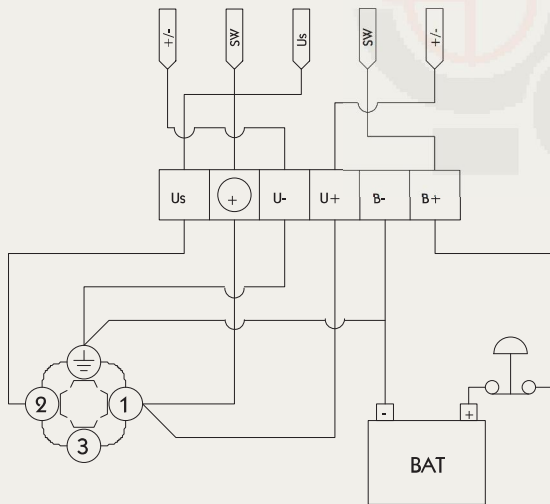
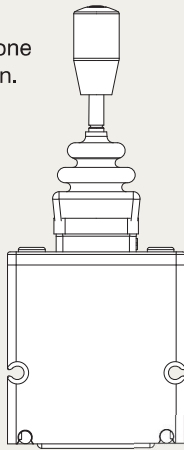
# PV-4 Accessories

## PVH proportional Lever

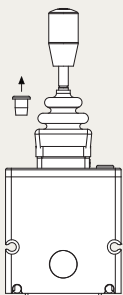
### PVH-1

TYPE PVH

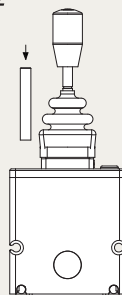
1. Single lever for one section operation.



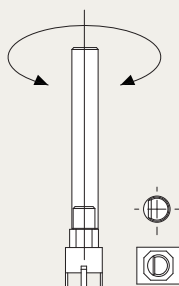
1



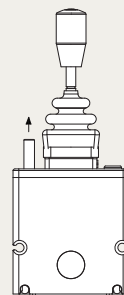
2



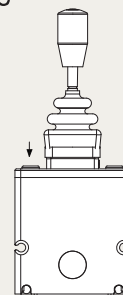
3



4



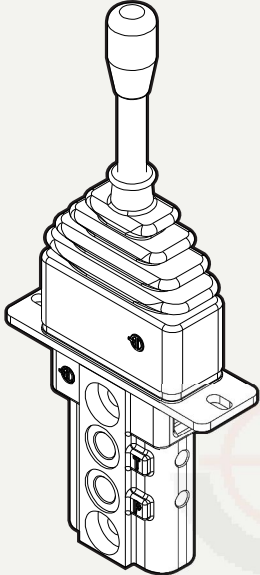
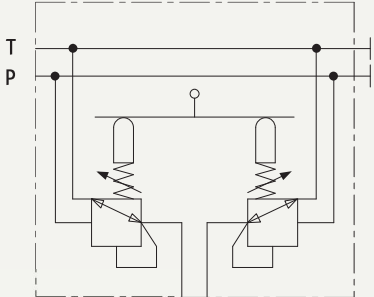
5

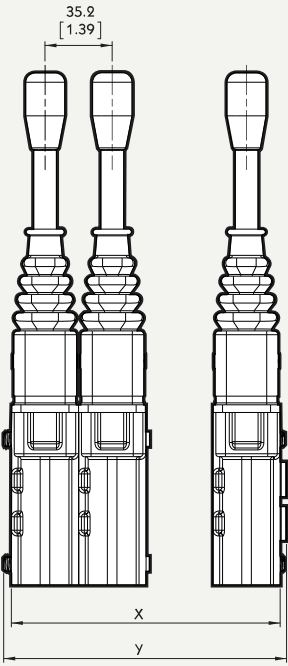
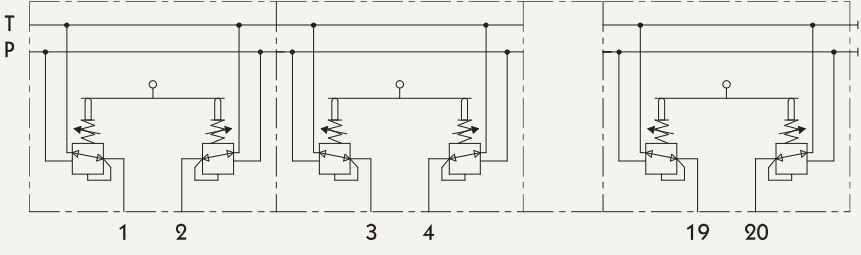


Note: Please make sure by traverse operating when adjusting.

# PV-4 Accessories

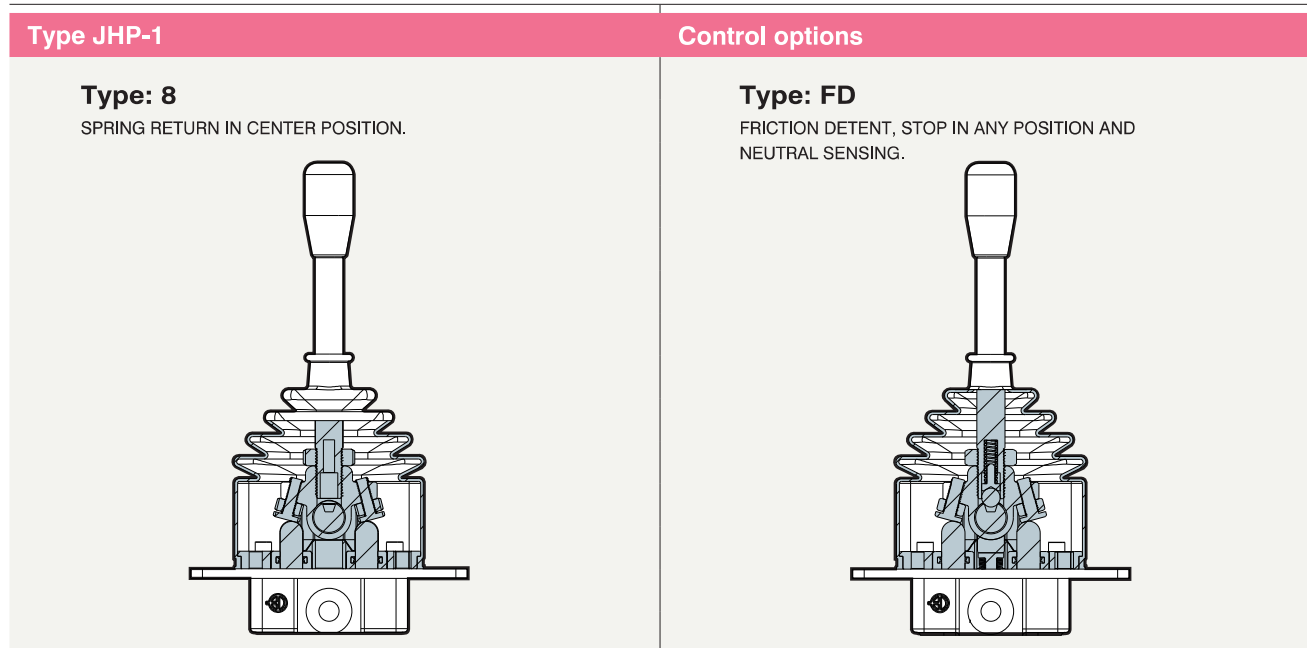
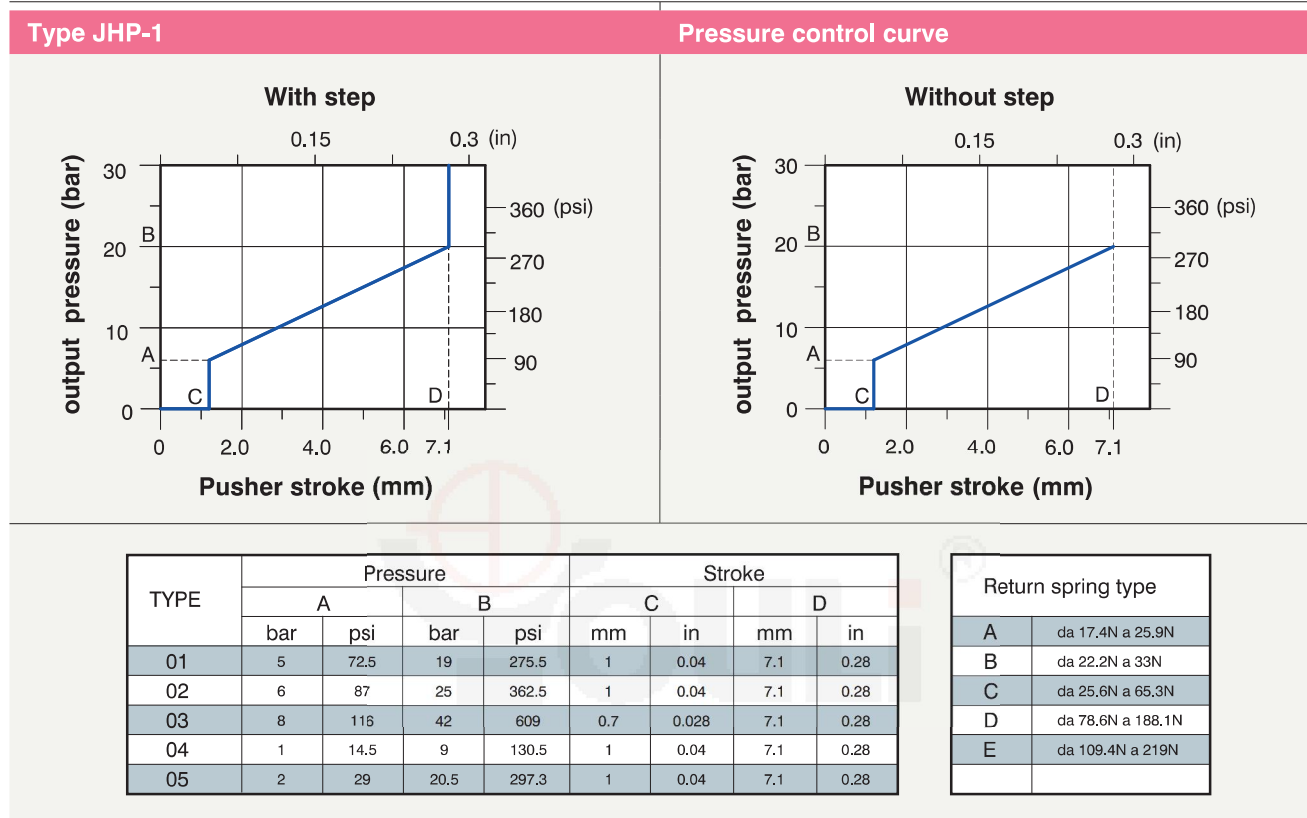
## Hydraulic Pilot Linear Operation Type

Type JHP-1	Circuit
	<p><b>Hydraulic scheme :</b></p>  <p>HYDRAULIC PILOT CONTROLLER            OPTIONS: 8, 9-1, FD, LES            AVAILABLE SECTIONS FROM 1 TO 10</p>

Type JHP-1	Circuit																																																						
	<p><b>Hydraulic circuit :</b></p>  <p><b>Standard threads :</b></p> <table border="1" data-bbox="724 1654 1333 1984"> <thead> <tr> <th rowspan="2">TYPE</th> <th colspan="2">X</th> <th colspan="2">Y</th> </tr> <tr> <th>mm</th> <th>in</th> <th>mm</th> <th>in</th> </tr> </thead> <tbody> <tr> <td>JHP1/2</td> <td>70.4</td> <td>2.77</td> <td>74.1</td> <td>2.92</td> </tr> <tr> <td>JHP1/3</td> <td>105.6</td> <td>4.16</td> <td>109.3</td> <td>4.30</td> </tr> <tr> <td>JHP1/4</td> <td>140.8</td> <td>5.54</td> <td>144.5</td> <td>5.69</td> </tr> <tr> <td>JHP1/5</td> <td>176</td> <td>6.93</td> <td>179.7</td> <td>7.07</td> </tr> <tr> <td>JHP1/6</td> <td>211.2</td> <td>8.31</td> <td>214.9</td> <td>8.46</td> </tr> <tr> <td>JHP1/7</td> <td>246.4</td> <td>9.70</td> <td>250.1</td> <td>9.85</td> </tr> <tr> <td>JHP1/8</td> <td>281.6</td> <td>11.09</td> <td>285.3</td> <td>12.62</td> </tr> <tr> <td>JHP1/9</td> <td>316.8</td> <td>12.47</td> <td>320.5</td> <td>12.62</td> </tr> <tr> <td>JHP1/10</td> <td>352</td> <td>13.86</td> <td>355.7</td> <td>14.00</td> </tr> </tbody> </table>	TYPE	X		Y		mm	in	mm	in	JHP1/2	70.4	2.77	74.1	2.92	JHP1/3	105.6	4.16	109.3	4.30	JHP1/4	140.8	5.54	144.5	5.69	JHP1/5	176	6.93	179.7	7.07	JHP1/6	211.2	8.31	214.9	8.46	JHP1/7	246.4	9.70	250.1	9.85	JHP1/8	281.6	11.09	285.3	12.62	JHP1/9	316.8	12.47	320.5	12.62	JHP1/10	352	13.86	355.7	14.00
TYPE	X		Y																																																				
	mm	in	mm	in																																																			
JHP1/2	70.4	2.77	74.1	2.92																																																			
JHP1/3	105.6	4.16	109.3	4.30																																																			
JHP1/4	140.8	5.54	144.5	5.69																																																			
JHP1/5	176	6.93	179.7	7.07																																																			
JHP1/6	211.2	8.31	214.9	8.46																																																			
JHP1/7	246.4	9.70	250.1	9.85																																																			
JHP1/8	281.6	11.09	285.3	12.62																																																			
JHP1/9	316.8	12.47	320.5	12.62																																																			
JHP1/10	352	13.86	355.7	14.00																																																			

# PV-4 Accessories

## Hydraulic Pilot Linear Operation Type



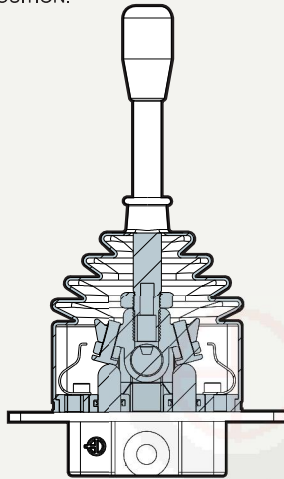
# PV-4 Accessories

## Hydraulic Pilot Linear Operation Type

### Type JHP-1

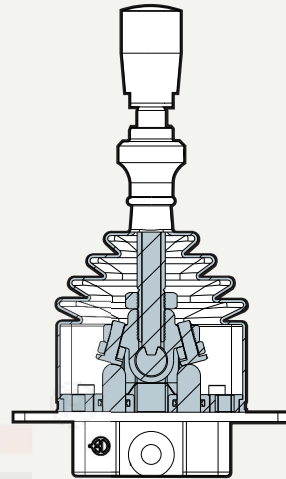
#### Type: 9-1

DETENT IN POSITION 1 AND 2, SPRING CENTERED TO NEUTRAL POSITION.



#### Type: LES

SAFETY LEVER, DETENT IN NEUTRAL POSITION.



### EXAMPLE-Order Code:

**JHP-1 / 1S - G2 / 8 - A 01 A**

1            2            3            4            5            6            7

- 1 Valve type
- 2 No. of section
- 3 Thread type
- 4 Control options
- 5 Pressure control curve A or B
- 6 Pressure range 01~05 (see page 34)
- 7 Spring return type A~E (see page 34)

Flow	5~20 L/min	1.3~5.3 US gpm
Feeding pressure	30~100 bar	435~1450 psi
MAX. backpressure	3 bar	4.35 psi
Internal leakage at 30 bar/435 psi	10 ~ 18 cm <sup>3</sup> /min	0.61~1.1 in <sup>3</sup> /min
Fluid	mineral oil	
Fluid temperature	-10 ~ 80°C	-14 ~ 176°F
Ambient temperature	-40 ~ 60°C	-40 ~ 140°F

#### Standard threads

PORTS	BSP	UN-UNF	METRIC
Inlet P	G 1/4	7/16 - 20 (SAE 4)	M12 x 1.5
A and B ports	G 1/4	7/16 - 20 (SAE 4)	M12 x 1.5
Outlet port T	G 1/4	7/16 - 20 (SAE 4)	M12 x 1.5

# PV-4 Other

## PV Order Specification

	[A1]	[A]			[A2]
<b>1</b>	[B]	[C1]	[E]	[D2]	[G]
		[D1]	[F]	[C2]	
<b>2</b>	[B]	[C1]	[E]	[D2]	[G]
		[D1]	[F]	[C2]	
<b>3</b>	[B]	[C1]	[E]	[D2]	[G]
		[D1]	[F]	[C2]	
<b>4</b>	[B]	[C1]	[E]	[D2]	[G]
		[D1]	[F]	[C2]	
<b>5</b>	[B]	[C1]	[E]	[D2]	[G]
		[D1]	[F]	[C2]	
<b>6</b>	[B]	[C1]	[E]	[D2]	[G]
		[D1]	[F]	[C2]	
<b>7</b>	[B]	[C1]	[E]	[D2]	[G]
		[D1]	[F]	[C2]	
<b>8</b>	[B]	[C1]	[E]	[D2]	[G]
		[D1]	[F]	[C2]	
<b>9</b>	[B]	[C1]	[E]	[D2]	[G]
		[D1]	[F]	[C2]	
<b>10</b>	[B]	[C1]	[E]	[D2]	[G]
		[D1]	[F]	[C2]	
[I]		[H]			

Specification sheet: [A] Pump side module [A1] Plug for external pilot oil supply [A2] LS Solenoid Unloading valve  
 [B] A side options [C1/2] LS A/B Pressure relief valve [D1/2] Shock and suction valve  
 [E] Basic mouldules [F] Spool [G] B side options [H] End plate [I] Tie rod kit





**油力油壓工業股份有限公司**  
**YOU LI HYDRAULIC INDUSTRIAL CO.,LTD.**

公司：41163 台中市太平區溪洲路 87 巷 7 號  
工廠：41468 台中市烏日區太明路 145 巷 9 號

**OFFICE & FACTORY :**

No.9, LANE 145, TAI MING RD., WU ZIH DIST., TAICHUNG CITY, TAIWAN 41468  
TEL: +886-4-2335 8996      FAX: +886-4-2335 8997  
Http://www.tw-youli.com.tw/      E-mail: sales@tw-youli.com.tw

Innovative Designs  
Professional Quality  
Customer Satisfaction !

**版權所有 翻印必究**  
**COPY RIGHTS RESERVED**